

auto electrical parts

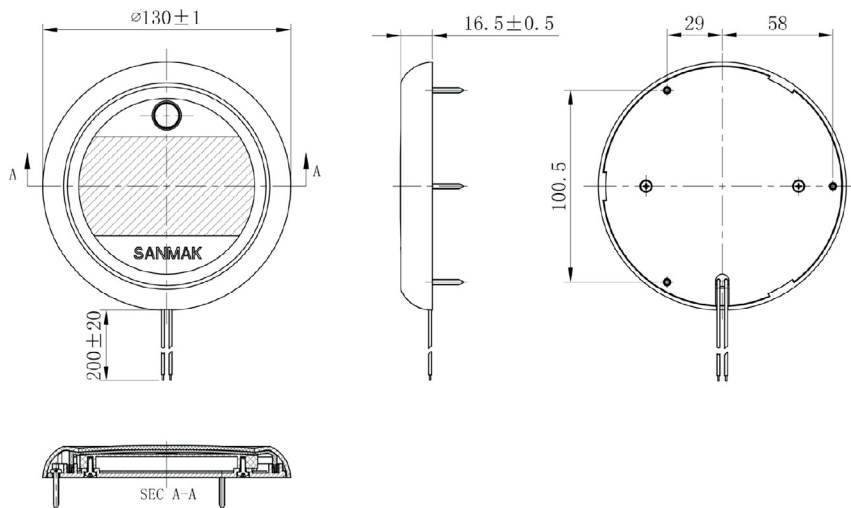
Technical Information Sheet

Part No. 0-668-28

Durite's Mega Power SMD 2525 LED Interior Dome Lamp with touch button switch offering 3 settings: 50% 75% and 100% luminance. 10-30VDC. 24 high power white SMD LED's. 1780Lm. PC Lens with ADC12 Housing. IP67. E Marked EMC R10. 20cm flying leads.



Technical Drawing (not to scale)



Specification

Type	LED Interior Dome Lamp
Voltage	10-30VDC
Current Draw	0.80A @ 12VDC / 0.44A @ 24VDC
LED	24 x 1W 2525SMD
Illumination	1780Lm
Material	PC Lens, ADC12 Housing
Protection	IP67
Operating Temperature	-25°C to 65°C
Switch	Touch Button
Dimensions	See above diagram
Compliance	CE, EMC R10

The information contained in this document is correct to the best of our knowledge at the time of printing. However, specifications may change at any time without notice.